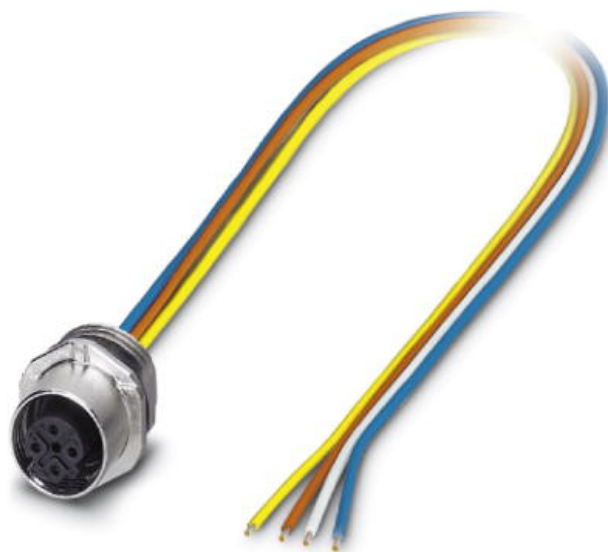


Please note that the data given here has been taken from the online catalog. For comprehensive information and data, please refer to the user documentation at <http://www.download.phoenixcontact.com>. The General Terms and Conditions of Use apply to Internet downloads.

► Extract from the online catalog



Bus system flush-type socket, PROFINET, 4-pos., M12-SPEEDCON, D-coded, front/screw mounting with M16 thread, with 0.5 m TPE litz wire, 4 x 0.34 mm²

Order No.	1535202
Ord designation	SACC-E-FSD-4CON-M16/0,5 SCO
EAN	4046356026956
Pack	1 Pcs.
Customs tariff	85444290
Weight/Piece	0.0204 KG
Catalog page information	Page 20 (PC-2007)

► Product notes

WEEE/RoHS-compliant since: 06/26/2006



IMPORTANT : This date is valid for Customers in Germany only. Date Format is MM/DD/YYYY. Please contact your local in-country Phoenix Contact location or designated business partner for a Logistics Compliant date in your area. In order to guarantee delivery of RoHS-Compliant product, please purchase Phoenix Contact parts from authorized Phoenix Contact representatives and distributors.



▶ **Technical data**

General data

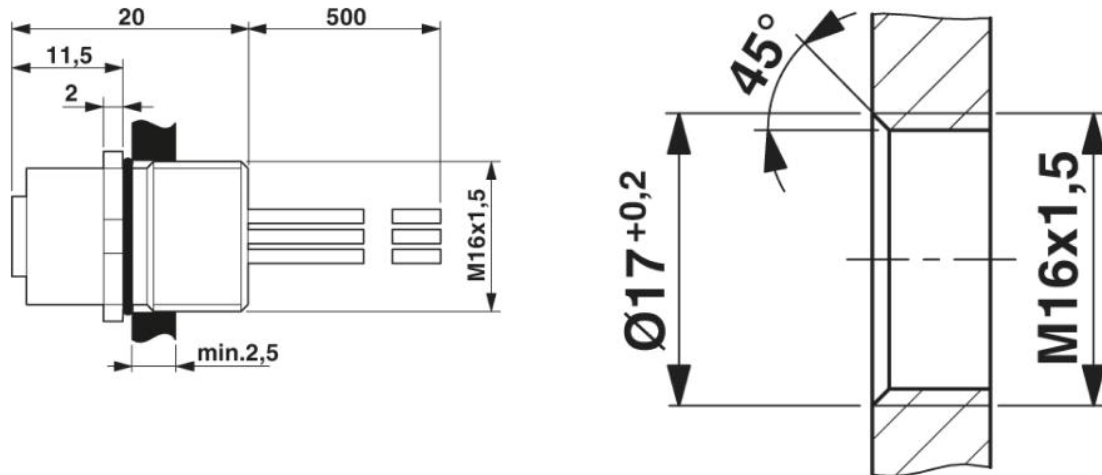
Nominal current I_N	4 A
Nominal voltage U_N	250 V
Number of positions	4
Volume resistance	$\leq 3 \text{ m}\Omega$
Ambient temperature (operation)	-25 °C ... 85 °C (Connector)
Ambient temperature (operation)	-25 °C ... 90 °C (cable, fixed installation)

General characteristics

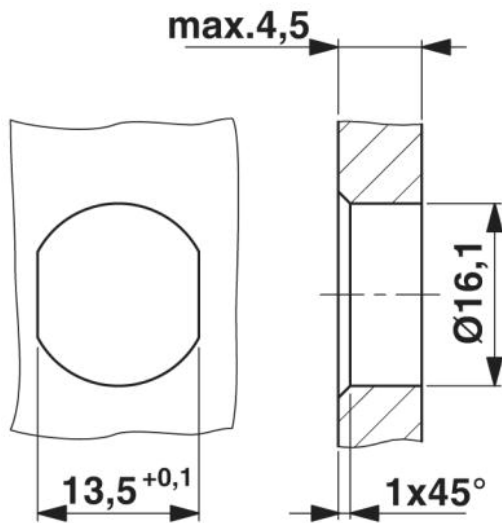
Keying	D - data
Fixed cable length	0.5 m
Cable type	TPE litz wire
Inflammability class acc. to UL 94	V0
Surge voltage category	II
Contamination class	3
Degree of protection	IP67
Material of contact	CuZn
Material of contact surface	Au
Contact carrier material	PA66 GF
Material, knurls	Zinc die-cast, (nickel-plated)
Type of connection	Individual wires
Single wire, color	Yellow, Orange, White, Blue
Conductor cross section	0.34 mm^2
Volume resistance	$\leq 3 \text{ m}\Omega$
Insulation resistance	$\geq 100 \text{ M}\Omega$

► Drawings

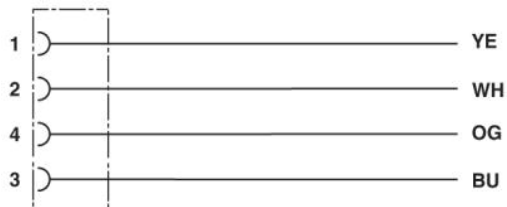
Dimensioned drawing



M12 flush-type connector

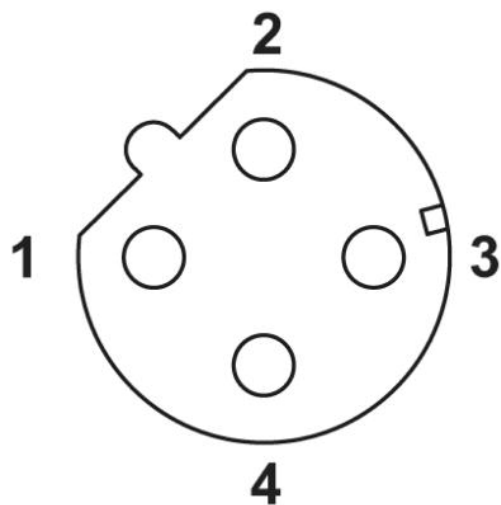


Circuit diagram



Contact assignment of the M12 socket

Schematic diagram



Pin assignment M12 female connector, 4-pos.,
D-coded, female side

Logo



► Address

PHOENIX CONTACT GmbH & Co. KG
Flachsmarktstr. 8
32825 Blomberg
Germany
Phone +49 5235 3 00
Fax +49 5235 3 41200
<http://www.phoenixcontact.de>
Phoenix Contact
Technical modifications reserved;